

PRODUCT DATA

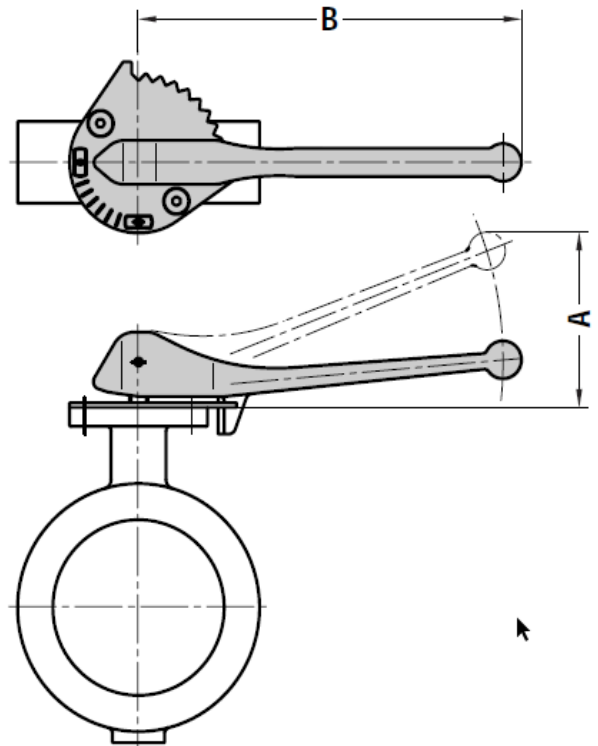
General Description	WOUTER WITZEL LEVER Fits all Eurovalve butterfly valves up to and including DN 300.
Application	The lever is suitable for all general industrial applications.
Flange size range	F07 and F10
Stroke	0° to 90°

DESIGN FEATURES

Lever material	Malleable Cast Iron with epoxy coating
Notch plate	Made of steel/Zn5C.
Notch plate features	10 positions incl. open and closed

OPTIONS (ON REQUEST)

Padlock	Various padlock facilities
Limit switches	Various limit switches
Notch plate	Various materials for notch plates



Type	Suitable for EV butterfly Valve (DN)	Max. delta p. (Bar)	B	A	Gross weight (KG)
L1	50 ~ 80	16	250	112	1
L2	100 ~ 125	16	250	112	1
L3	150 ~ 200	16	315	121	1.4
L4	250 ~ 300	2.5	500	184	3.2