


 CHECK VALVE zCHE



Body material	Nominal pressure	Nominal diameter	Max. temperature
A Grey cast iron	C 16 bar B 10 bar	DN 50-200 DN 200-300	80°C

 correspond to the pressure equipment directive 2014/68/UE marking CE for DN≥65

**FEATURES**

- allows installation in all positions
- low head losses
- no maintenance

**APPLICATION**

industries



SHIPBUILDING  
INDUSTRY



HEATING

media



GLYCOL



INDUSTRIAL  
WATER

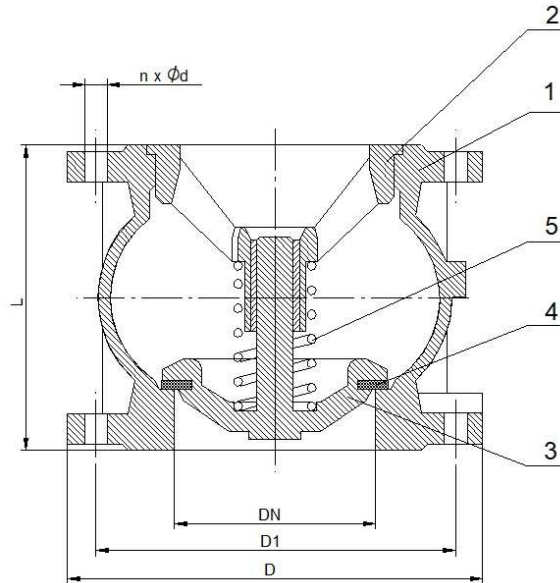


NEUTRAL FLUIDS

Data given can be changed without notice.

Edition 01/2018

**MATERIALS, DIMENSIONS**



	<b>Body material</b>	<b>A</b>
	<b>Type</b>	<b>52</b>
1	Body	EN- GJL- 250 5.1301 (ex.JL 1040)
2	Guide	EN- GJS- 400-15 5.3106 (ex.JS 1030)
3	Closing system	EN- GJS- 400-15 5.3106 (ex.JS 1030)
4	Seal	EPDM
5	Spring	AISI 302
<b>Max. temperature</b>		<b>80°C</b>

DN	50	65	80	100	125	150	200	250	300	
<b>L (mm)</b>	100	120	140	170	200	230	300	370	410	
<b>D (mm)</b>	165	185	200	220	250	285	340	405	460	
<b>EN1092-2- PN10</b>	D1 (mm)	125	145	160	180	210	240	295	350	400
	n-d (mm)	4-19	4-19	8-19	8-19	8-19	8-23	8-23	12-23	12-23
<b>EN1092-2- PN16</b>	D1 (mm)	125	145	160	180	210	240	295	-	-
	n-d (mm)	4-19	4-19	8-19	8-19	8-19	8-23	12-23	-	-
<b>K<sub>vs</sub> (m<sup>3</sup>/h)</b>	99	145	258	360	516	620	985	1620	2365	
<b>Weight (kg)</b>	5,7	8,7	10,8	13,5	21	30	49	73,3	174	

Data given can be changed without notice.

Edition 01/2018

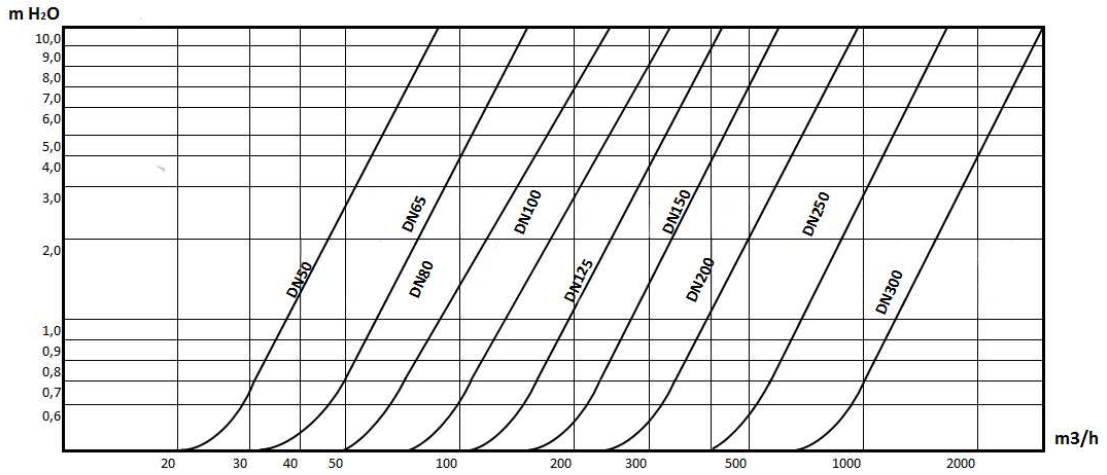
ZETKAMA Sp. z o.o.  
Ul. 3 Maja 12  
PL 57-410 Ścinawka Średnia

Tel. +48 74 8652 193  
Tel. +48 74 8652 111  
Fax +48 74 8652 199

E-mail export@zetkama.com.pl  
www.zetkama.com

FIG.402

HYDRAULIC CHARACTERISTICS



Data given can be changed without notice.

Edition 01/2018

ZETKAMA Sp. z o.o.  
Ul. 3 Maja 12  
PL 57-410 Ścinawka Średnia

Tel. +48 74 8652 193  
Tel. +48 74 8652 111  
Fax +48 74 8652 199

E-mail [export@zetskama.com.pl](mailto:export@zetskama.com.pl)  
[www.zetskama.com](http://www.zetskama.com)

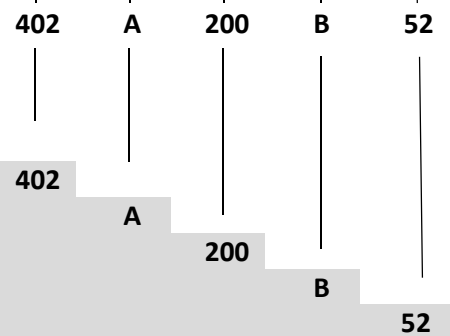
TYPE

Figure	Body material	Nominal diameter	Nominal pressure	Type
402	A Grey cast iron EN-GJL-250	50-200 mm	C 16 bar	closing EPDM / iron; epoxy painted 52
		200-300 mm	B 10 bar	closing EPDM / iron; epoxy painted 52

ORDERING

Figure	Body material	Nominal diameter	Nominal pressure	Type
402	A Grey cast iron EN-GJL-250	50-300 mm	C 16 bar	closing EPDM / cast iron; epoxy painted 52

Order example acc. index



Check valve, ends flanged, form straight  
 Grey cast iron EN-GJL-250  
 Nominal diameter (mm)  
 Nominal pressure PN 10  
 Closing EPDM / iron; epoxy painted

Data given can be changed without notice.

Edition 01/2018