

BELLOW VALVE zBEL



Body material	Nominal pressure	Nominal diameter	Max. temperature
A Grey cast iron	C 16 bar	DN 15-250	300°C
C Nodular cast iron	C 16 bar D 25 bar	DN 15-200	350°C
F Cast steel	E 40 bar	DN 15-300	450°C
I Cast stainless steel	E 40 bar	DN 15-300	400°C



correspond to the pressure equipment directive 2014/68/UE marking CE for DN≥32

FEATURES

- high tightness (leakproofness class - A acc. EN -12266 - 1)
- compact settlement
- environment-friendly
- tests acc. EN - 12266 - 1
- flanges drilled according to EN 1092-2 for body material A, C, E
- flanges drilled according to EN 1092-1 for body material F, I
- face-to-face dimension according to EN 558 series 1

APPLICATION *

* not all of the applications are suitable for all of the executions
 On the website www.zetkama.com.pl is a Chemical Resistance List, which specifies the parameters of work for a given medium.

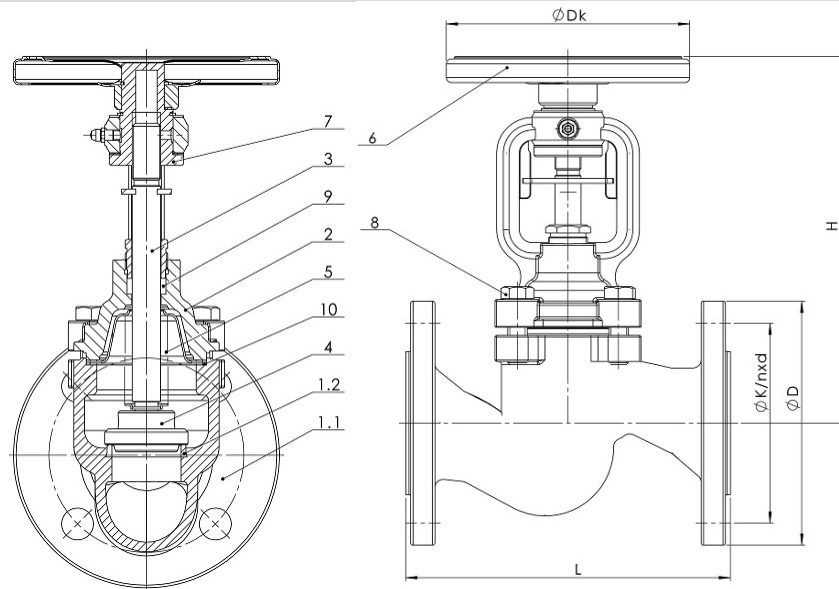
industries						
	INDUSTRY	SHIPBUILDING INDUSTRY	HEATING	REFRIGERATION AND AIR CONDITIONING	CHEMICAL INDUSTRY	
media						
	GLYCOL	INDUSTRIAL WATER	DIATHERMIC OIL	STEAM	COMPRESSED AIR	NEUTRAL FLUIDS

Data given can be changed without notice.

Edition 01/2021

FIG.234

MATERIALS, DIMENSIONS



	Body material	A	C
	Type	01; 04; 71	01; 04; 71
1.1	Body	EN – GJL-250 5.1301 (ex. JL1040)	EN – GJS-400 – 18-LT 5.3103 (ex.JS1025)
1.2	Seat ring	X12Cr13 1.4021	
2	Bonnet	EN – GJS-400 – 18-LT 5.3103 (ex.JS1025)	
3	Stem	X20Cr13 1.4021	
4	Disc	X20Cr13+QT 1.4021	
5	Bellow	X6CrNiMoTi-17-12-2	
6	Hand-wheel	Steel	
7	Sleeve	11SMnPb30	
8	Hexagon bolt	5.6	A2-70
9	Gland packing	Graphite	
10	Bonnet gasket	Graphite + CrNiSt	
	Max. temperature	300°C	350°C

DN	15	20	25	32	40	50	65	80	100	125	150	200	250	
L (mm)	130	150	160	180	200	230	290	310	350	400	480	600	730	
Dk (mm)	125	125	125	125	150	150	175	200	250	300	400	500	600	
H	178	178	193	201	224	228	270	295	325	380	427	569	645	
K _{vs} (m ³ /h)	01;04	5,9	7,4	13	18	30	41	79	115	181	225	364	725	-----
	71	3,4	6,3	9,4	16	26	40	70	106	170	245	360	-----	-----
Weight (kg)	01;04	3,2	3,9	4,85	6,5	9,0	11	15,8	24,3	35	49	76	130,5	210
	71	3,2	3,9	5,0	6,7	9,3	11,5	16,3	21,4	36	51,5	78	130,5	-----

Data given can be changed without notice.

Edition 01/2021

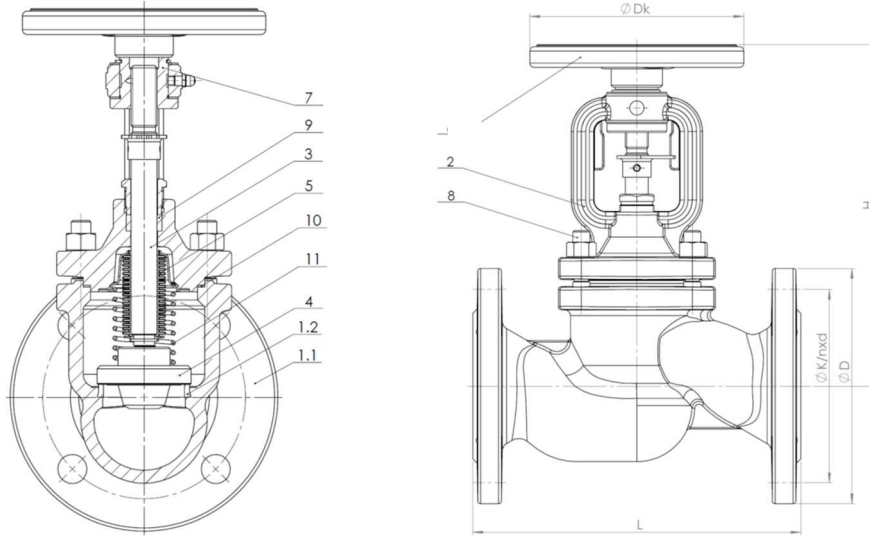
ZETKAMA Sp. z o.o.
Ul. 3 Maja 12
PL 57-410 Ścinawka Średnia

Tel. +48 74 8652 193
Tel. +48 74 8652 111
Fax +48 74 8652 199

E-mail export@zetskama.com.pl
www.zetskama.com

FIG.234

MATERIALS, DIMENSIONS



	Body material	F			
		01	04	31	71
	Type				
1.1	Body	GP240GH			
1.2	Seat	G 19 9 L Si			
2	Bonnet	GP240GH			
3	Stem	X20Cr13 1.4021			
4	Disc	Stop disc X20Cr13 +QT 1.4021	balancing disc X20Cr13 +QT 1.4021	SDNR X20Cr13 +QT 1.4021	throttling disc X20Cr13 +QT 1.4021
5	Bellow	X6CrNiMoTi17-12-2			
6	Hand-wheel	Steel			
7	Sleeve	11SMnPb30			
8	Stud bolt, nut	25CrMo4			
9	Gland packing	Graphite			
10	Bonnet gasket	Graphite			
11	Spring	----	----	X17CrNi16-2 1.4057	----
Max. temperature		450°C			

DN	15	20	25	32	40	50	65	80	100	125	150	200
L (mm)	130	150	160	180	200	230	290	310	350	400	480	600
Dk (mm)	125	125	125	125	200	200	250	250	300	300	400	400
H (mm)	190	190	190	195	240	240	270	300	450	520	570	627
Kvs (m³/h)	6,0	8,7	15,5	25,3	28,8	46,5	76,4	113,2	180,2	238,7	358,2	552
Weight (kg)	4,3	5,1	6,0	7,6	11,5	13,7	20,1	27,5	44,0	65,5	110,0	172,5

Data given can be changed without notice.

Edition 01/2021

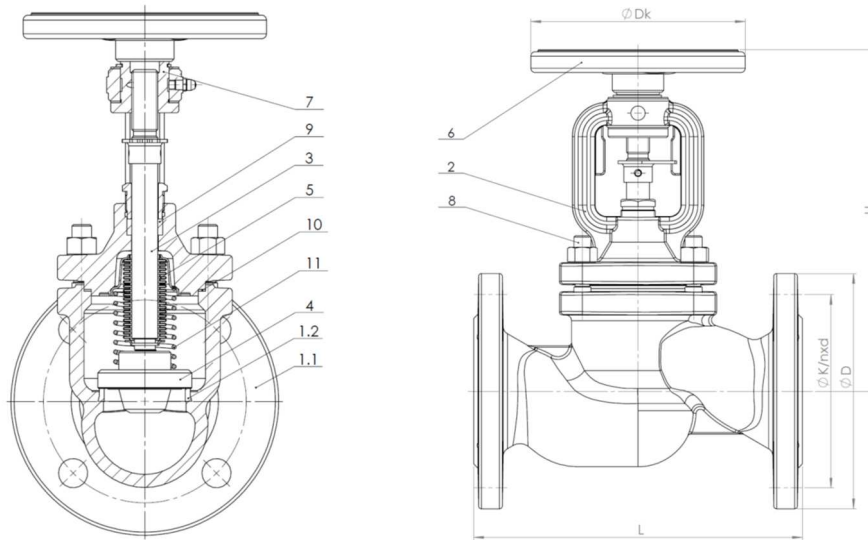
ZETKAMA Sp. z o.o.
Ul. 3 Maja 12
PL 57-410 Ścinawka Średnia

Tel. +48 74 8652 193
Tel. +48 74 8652 111
Fax +48 74 8652 199

E-mail export@zetskama.com.pl
www.zetskama.com

FIG.234

MATERIALS, DIMENSIONS



Body material		I			
Type	01	04	31	71	
1.1 Body	G-X5CrNiMo19-11-2 1.4408				
1.2 Seat	G 19 9 L Si				
2 Bonnet	G-X5CrNiMo19-11-2 1.4408				
3 Stem	X6CrNiMoTi17-12-2 1.4571				
4 Disc	Stop disc X6CrNiMoTi17-12-2 1.4571	Balancing disc X6CrNiMoTi17-12-2 1.4571	SDNR X6CrNiMoTi17-12-2 1.4571	Throttling disc X20Cr13 +QT 1.4021	
5 Bellow	X6CrNiMoTi17-12-2 1.4571				
6 Hand-wheel	Steel				
7 sleeve	11SMnPb30				
8 Bolt, nut	A4-70				
9 Gland packing	Graphite				
10 Bonnet gasket	Graphite				
11 Spring	----		X17CrNi16-2 1.4057	---	
Max. temperature	400°C				

DN	15	20	25	32	40	50	65	80	100	125	150	200
L (mm)	130	150	160	180	200	230	290	310	350	400	480	600
Dk (mm)	125	125	125	125	200	200	250	250	300	300	400	400
H (mm)	190	190	190	195	240	240	270	300	450	520	570	627
Weight (kg)	3,8	4,9	5,7	7,4	10,7	13,1	19,5	25,7	43,9	64,8	95,0	152,0

Data given can be changed without notice.

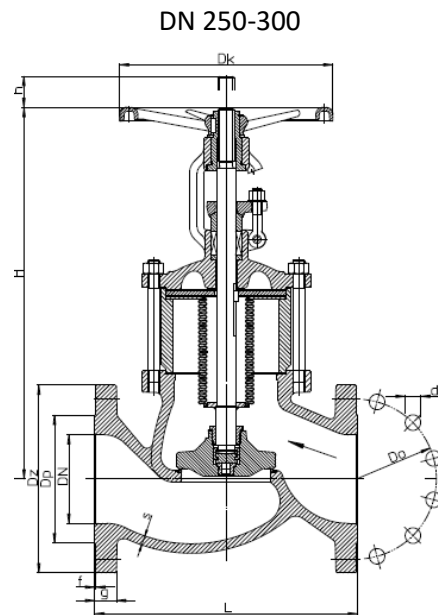
Edition 01/2021

ZETKAMA Sp. z o.o.
Ul. 3 Maja 12
PL 57-410 Ścinawka Średnia

Tel. +48 74 8652 193
Tel. +48 74 8652 111
Fax +48 74 8652 199

E-mail export@zetkama.com.pl
www.zetkama.com

MATERIALS, DIMENSIONS



	Body material	F	I
	Type	04	04
1	Body	GP240GH	G-X5CrNiMo19-11-2
2	Seat	Cr-Ni	G-X5CrNiMo19-11-2
3	Bonnet	GP240GH	G-X5CrNiMo19-11-2
4	Stem	X20Cr13	X6CrNiTi18-10
5	Disc	GX12Cr12	18-8 Cr-Ni
	Bellow	18-8 Cr-Ni	18-8 Cr-Ni
6	Gasket	Graphite	Graphite
Max. temperature		450°C	400°C

DN	250	300
L	730	850
f	3	4
g	38	42
H	780	1205
h	75	88
Dk	500	640
Weight (kg)	350	540

Data given can be changed without notice.

Edition 01/2021

ZETKAMA Sp. z o.o.
 Ul. 3 Maja 12
 PL 57-410 Ścinawka Średnia

Tel. +48 74 8652 193
 Tel. +48 74 8652 111
 Fax +48 74 8652 199

E-mail export@zetskama.com.pl
www.zetskama.com

PRESSURE-TEMPERATURE RATINGS

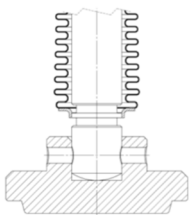
	PN		---	-10°±120°C	150°C	200°C	250°C	300°C	350°C	400°C	450°C	
EN-GJL-250	16	bar	---	16	14,4	12,8	11,2	9,6	---	---	---	
EN-GJS-400-18 LT	16		---	16	15,5	14,7	13,9	12,8	11,2	---	---	
	25		---	25	24,3	23	21,8	20	17,5	---	---	
Acc. EN 1092-1			-20°÷<-10°C	-10°±50°C	100°C	150°C	200°C	250°C	300°C	350°C	400°C	450°C
GP240GH	40	bar	30	40	37,1	35,2	33,3	30,4	27,6	25,7	23,8	13,1
Acc. EN 1092-1			---	-60°÷<-10°C	-10°C±100°C	150°C	200°C	250°C	300°C	350°C	400°C	450°C
G-X5CrNiMo19-11-2	40		---	40	40	36,3	33,7	31,8	29,7	28,5	27,4	---

FLANGE DIMENSIONS ACC. PN-EN 1092-1/-2

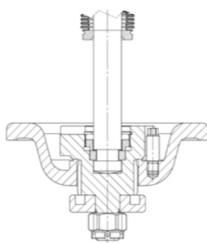
DN		15	20	25	32	40	50	65	80	100	125	150	200	250	300
PN16	D (mm)	95	105	115	140	150	165	185	200	220	250	285	340	405	-----
	K (mm)	65	75	85	100	110	125	145	160	180	210	240	295	355	-----
	nxd (mm)	4x14	4x14	4x14	4x19	4x19	4x19	4x19	8x19	8x19	8x19	8x23	12x23	12x28	-----
PN25	D (mm)	95	105	115	140	150	165	185	200	235	270	300	360	-----	-----
	K (mm)	65	75	85	100	110	125	145	160	190	220	250	310	-----	-----
	nxd (mm)	4x14	4x14	4x14	4x19	4x19	4x19	8x19	8x19	8x23	8x28	8x28	12x28	-----	-----
PN40	D (mm)	95	105	115	140	150	165	185	200	235	270	300	375	450	515
	K (mm)	65	75	85	100	110	125	145	160	190	220	250	320	385	450
	nxd (mm)	4x14	4x14	4x14	4x18	4x18	4x18	8x18	8x18	8x22	8x26	8x26	12X30	12x33	16x33

DISC

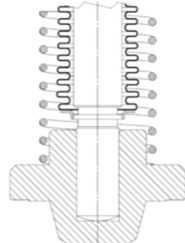
type 01



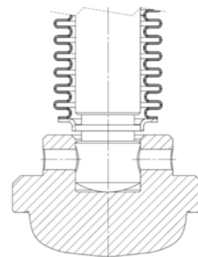
type 04



type 31, 40,



type 71



Other type of valves on request:

- stellited seat
- hardened disc
- other

Data given can be changed without notice.

Edition 01/2021

TYPE

Figure	Body material	Nominal diameter	Nominal pressure	Type
234	A Grey cast iron EN-GJL-250	15-150 mm	C 16 bar	01 stem connected with bellow; stem, disc, bellow and seat ring - stainless steel
		200-250 mm	C 16 bar	04 stem connected with bellow; stem, balancing disc; bellow and seat ring - stainless steel
		15-200 mm	C 16 bar	71 stem connected with bellow; stem, throttling disc; bellow and seat ring - stainless steel
234	C Nodular cast iron EN-GJS-400-18-LT	15-150 mm	C 16 bar	01 stem connected with bellow; stem, disc, bellow and seat ring - stainless steel
		200 mm	C 16 bar	04 stem connected with bellow; stem, balancing disc; bellow and seat ring - stainless steel
		15-200 mm	C 16 bar	71 stem connected with bellow; stem, throttling disc; bellow and seat ring - stainless steel
		15-150 mm	D 25 bar	01 stem connected with bellow; stem, disc, bellow and seat ring - stainless steel
		200 mm	D 25 bar	04 stem connected with bellow; stem, balancing disc; bellow and seat ring - stainless steel
234	F cast steel GP240GH 1.0619	15-100 mm	E 40 bar	01 stem connected with bellow; stem, disc, bellow and seat ring - stainless steel
		125-200 mm	E 40 bar	04 stem connected with bellow; stem, balancing disc; bellow and seat ring - stainless steel
		15-200 mm	E 40 bar	31 stem connected with bellow, SDNR with spring; stem, SDNR, spring, bellow – stainless steel
		15-200 mm	E 40 bar	71 stem connected with bellow; stem, throttling disc; bellow and seat ring - stainless steel
		250-300 mm	E 40 bar	04 stem connected with bellow; stem, balancing disc; bellow and seat ring - stainless steel
234	I cast stainless steel G-X5CrNiMo19-11-2	15-100 mm	E 40 bar	01 stem connected with bellow; stem, disc, bellow and seat ring - stainless steel
		125-200 mm	E 40 bar	04 stem connected with bellow; stem, balancing disc; bellow and seat ring - stainless steel
		15-200 mm	E 40 bar	31 stem connected with bellow, SDNR with spring; stem, SDNR, spring, bellow – stainless steel
		15-200 mm	E 40 bar	71 stem connected with bellow; stem, throttling disc; bellow and seat ring - stainless steel
		250-300 mm	E 40 bar	04 stem connected with bellow; stem, balancing disc; bellow and seat ring - stainless steel

Data given can be changed without notice.

Edition 01/2021

ORDERING

Figure	Body material	Nominal diameter	Nominal pressure	Type
234	A Grey cast iron EN-GJL-250	15-150 mm	C 16 bar	01 stem connected with bellow; stem, disc, bellow and seat ring - stainless steel

Order example acc. index

234 A 050 C 01

Bellow sealed stop valves, ends flanged, form straight
 Grey cast iron EN-GJL-250
 Nominal diameter (mm)
 Nominal pressure PN 16
 Stem connected with bellow; stem, disc and seat ring stainless steel

234 A 050 C 01

Data given can be changed without notice.

Edition 01/2021