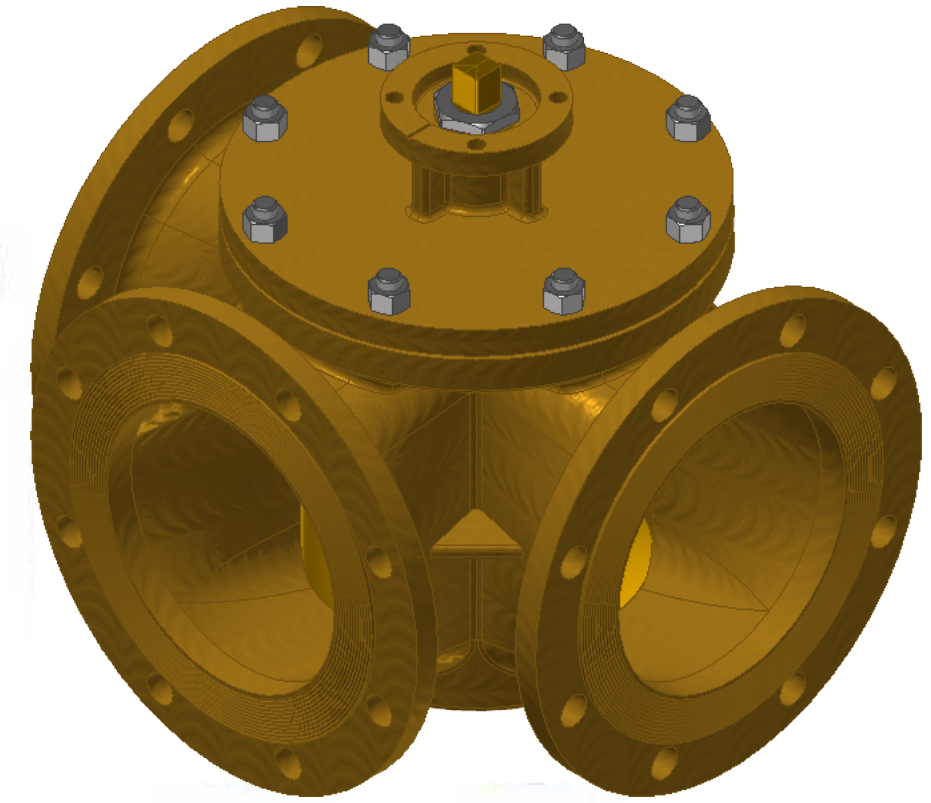


## Function

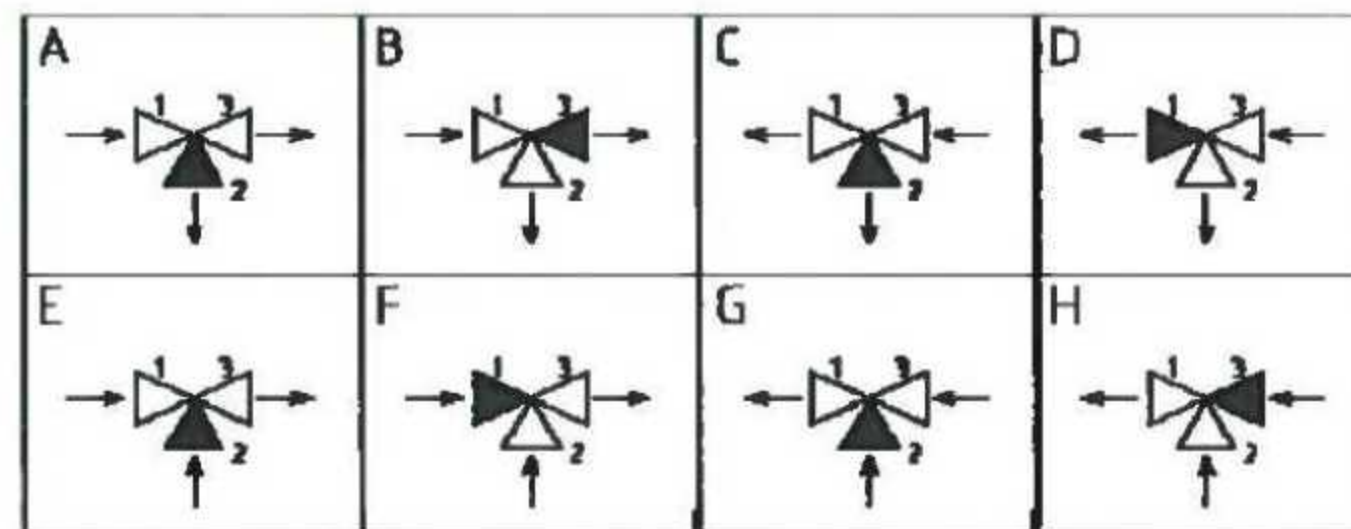
The DN50-DN200 LTC Series provides a line of three-way control valves designed for either converting (blender) or diverging (diverter) applications.

- Blending or diverting applications
- Designed for control systems in industrial, utility and marine applications.
- Valve trim in ASTM B148 Aluminium-Bronze material
- Can be used with pneumatic or electropneumatic positioners

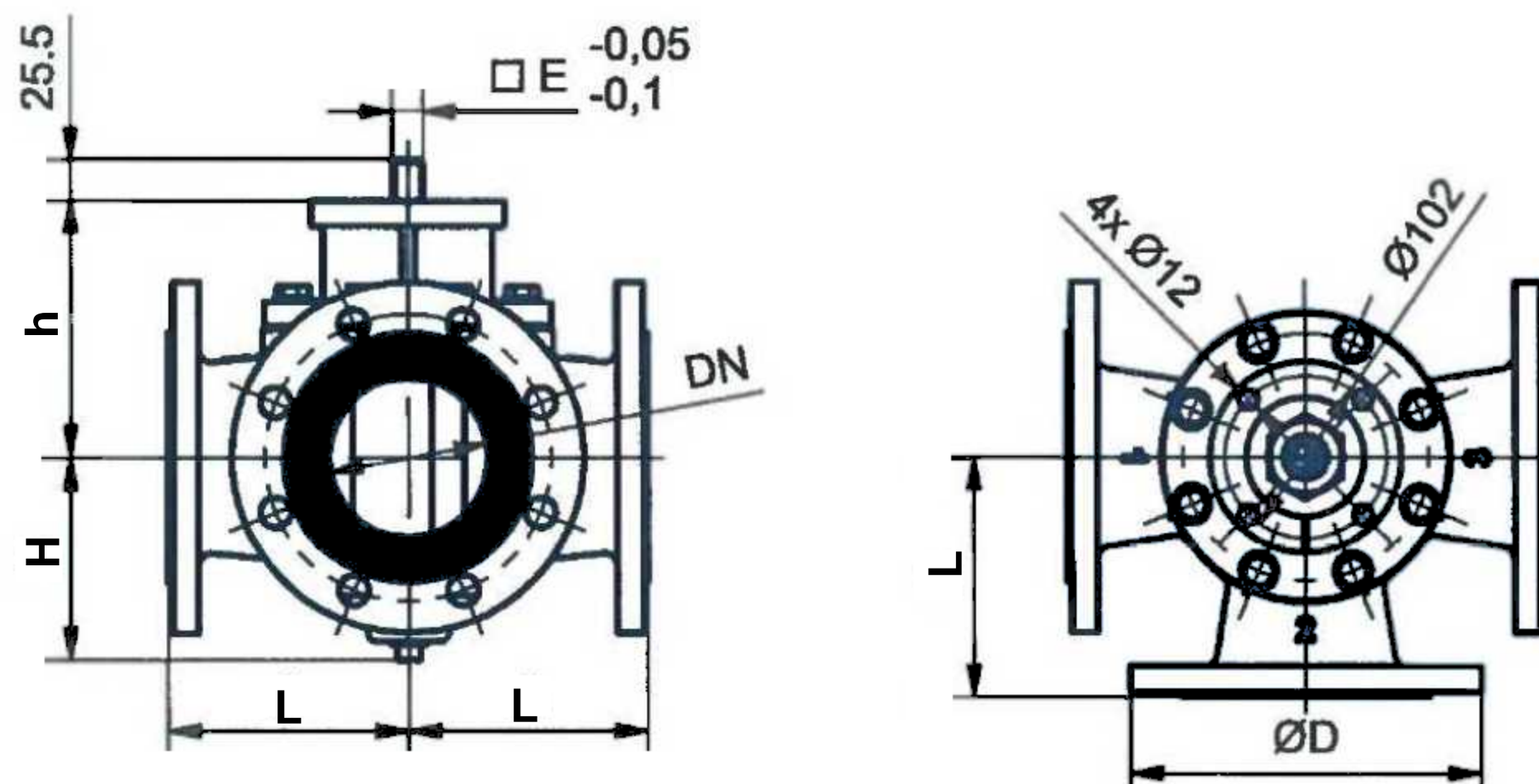


## Combination of division

A -D is for liquid diverging (diverter) and E - H converting (blender).



## Specifications

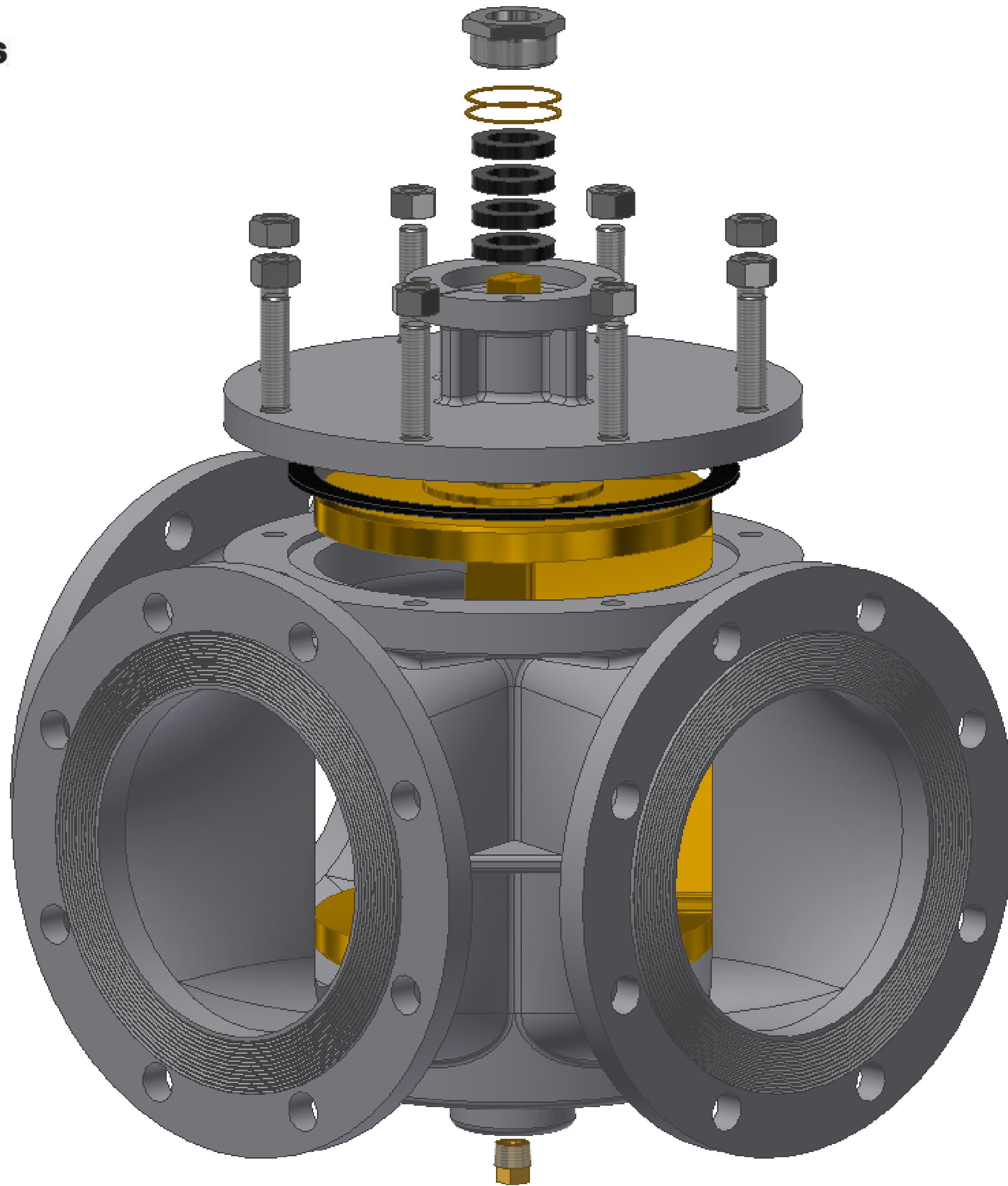


DN50-DN200	L	H	h	D	E	Kv (A)	Kv (B)	Weight (Kg)
DN 65	125	98	140	185	19	283	232	22
DN 80	150	107	151	200	19	388	323	28
DN 100	150	123	161	220	19	598	493	34
DN 150	200	163	200	285	19	1301	1078	73
DN 200	225	200	230	340	22	2215	1810	110

Maximum temperature: 100°C



## Materials



Pos.	Description	Material	Optional
1	Body	Cast steel	CF8M, Super Duplex St St, etc
2	Cover	Cast steel	CF8M, Super Duplex St St, etc
3	Shaft	AB or F316	F51, F55, Hastelloy
4	Nut	SST	
5 (*)	Washer	SST	
6 (*)	Joint	Graphite	
7 (*)	Flat joint	NBR/Aramid	
8	Bolt	SST	
9	Washer	SST	
10	Plug	SST	

(\*): Repair kit



## Installation Recommendations

When installing the valve, the following factors must be considered:

- Position the valve as close as possible to the point where it can best effect control.
- To prevent damaging the valve due to inconsistent flow, a minimum 6 pipe diameters need to be considered during installation.
- Future maintenance is simplified if the valve is installed in the upright position in an accessible location. Ensure valve access is not limited for future maintenance.
- Do not install the valve in a position that inhibits the operation of the manual override handle or access to any electrical/pneumatic actuator connections.
- If possible, avoid installation in areas with a risk of water spray or extreme dirt.

